

N720 CA 4G LTE module

N720 CA is an industrial grade LTE module that is developed on Qualcomm platform and supports global network standards. As the smallest module of the same type. With its industrial design and reliable performance, it is well applicable to AMR, in-vehicle computers, handheld POS, industrial routers, etc.

FEATURES

- LTE FDD: non-CA Cat.4
Max.150 Mbps(DL)/Max.50 Mbps(UL)
- LTE TDD: non-CA Cat.4
Max.130 Mbps(DL)/Max.35 Mbps(UL)
- Control via AT commands.
- SMS: TEXT/PDU, Point to Point/Cell Broadcast.

APPLICATIONS

- Metering
- logistics
- POS
- Asset management
- Telematics

HIGHLIGHTS

- Extended operating temperature range.
- Worldwide LTE, UMTS/HSPA+, TD-SCDMA, EV-DO, CDMA 1x and GSM/GPRS/EDGE coverage.
- GNSS receiver available for applications requiring fast and accurate fix in any environment.



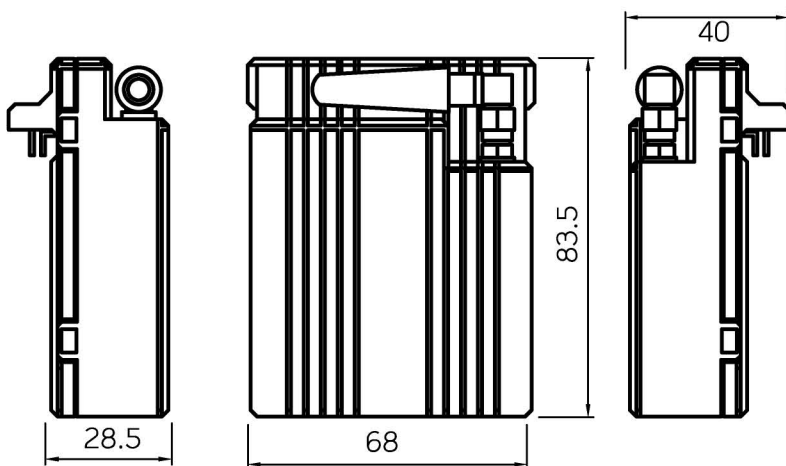
FREQUENCY BANDS

- FDD-LTE: B1, B3, B5, B8
- TDD-LTE: B38, B39, B40, B41
- TD-SCDMA: B39
- CDMA 1x: BC0
- WCDMA B1,B8
- GSM/GPRS/EDGE: 900/1800 MHz

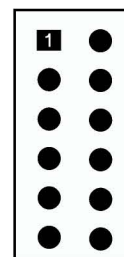
SPECIFICATION

No.	Item	Description
1	LTE Module	Neroway N720 (CA)
2	Rate	FDD-LTE: non-CA cat4, Max 150Mbps (DL)/Max 50Mbps (UL) TDD-LTE: non-CA cat4 ,Max 130Mbps (DL)/Max 35Mbps (UL) TD-SCDMA: Max 4.2Mbps (DL)/Max 2.2Mbps (UL) CDMA: Max 3.1Mbps (DL) / Max 1.8Mbps (UL) WCDMA: DC-HSPA+, Max 42Mbps (DL)/Max 5.76Mbps (UL) GPRS: Max 85.6Kbps(DL) / Max 85.6Kbps(UL) EDGE: Max 236.8Kbps(DL) / Max 236.8Kbps(UL)
3	Transmit power	EGSM900: +33 dBm (Power Class 4) DCS1800: +30 dBm (Power Class 1) EDGE 900MHz: +27 dBm (Power Class E2) EDGE1800MHz: +26 dBm (Power Class E2) TD-SCDMA: +23 dBm (Power Class 3) CDMA 1X/EVDO: +23 dBm(Power Class 3) UMTS: 23 dBm (Power Class 3) LTE: +23 dBm (Power Class 3)
4	Power Supply	12~36Vdc
5	Communication	RS232 5VTTL via IDC socket 12 pin
6	Operation temperature	-35°C ~ 75°C
7	Storage temperature	-45°C ~ 90°C
8	Dimension (WxHxD)	83.5x68x40mm

DIMENSIONS & CONNECTION



Dimension (Unit:mm)



Pin No	Details
1, 2	VCC
3, 4	GND
5, 6	N/A
7, 8	TX
9, 10	RX
11,12	GND

Pin Connection



Holley Group Electric (Thailand) co.,Ltd.
No. 77/51 14th Floor, Sinn Sathorn Tower,
Krungthonburi Road, Klongthonsai, Klungsan,
Bangkok 10600 <http://www.holley.co.th>
Tel. (+662) 867-6971-3 Fax. (+662) 867-6980

